

Nederman SAVE - Intelligent airflow management for optimal energy efficiency, enhanced performance, and process utilization monitoring



SAVE Controller

Nederman SAVE is a unique and patented solution pioneered to empower users and owners of dust extraction systems, allowing for a substantial reduction in energy costs through direct and intelligent control of system hardware in real time.

Description

Nederman SAVE comprises three key elements: the SAVE Controller, featuring an industrial PC panel with a 10.4" display; SAVE Modules enclosed in a clear transparent cover; and SAVE Sensors.

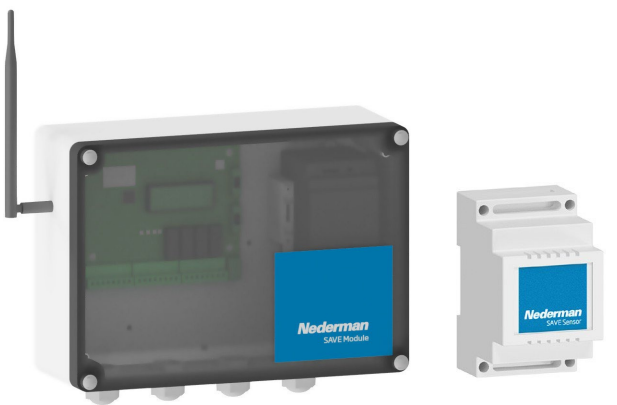
Function

The SAVE Controller evaluates airflow and pressure extraction requirements from all machines, issuing instructions to dampers and Variable Frequency Drives (VFD) for optimal operation.

SAVE Modules gather data from machine sensors and communicate wirelessly with the SAVE controller to facilitate local damper operation.

SAVE Sensors, installed at each machine, monitor machine activity and send signals to SAVE Modules when the machine is in operation or not.

The Human-Machine Interface (HMI) of the SAVE Controller provides direct real-time data presentation, while, in collaboration with a gateway, the system enables seamless transfer of this information to the cloud.



SAVE Module

SAVE Sensor

Advantages

- Individual Auditing
- Customization to Meet User Requirements
- Wireless/Radio Communication
- Flexible Design for Easy Expansion to Meet Growing Needs
- Effortless Assembly
- Instant Access to Energy Efficiency Data
- Integration Ready with Nederman Insight IoT Platform

Compliance with North America Requirements

This device conforms to FCC and ISCED wireless regulations and certified by NRTL for compliance with US and Canadian regulatory requirements.

- **FCC : 2BCBB-7945167**
- **IC : 31444-7945167**

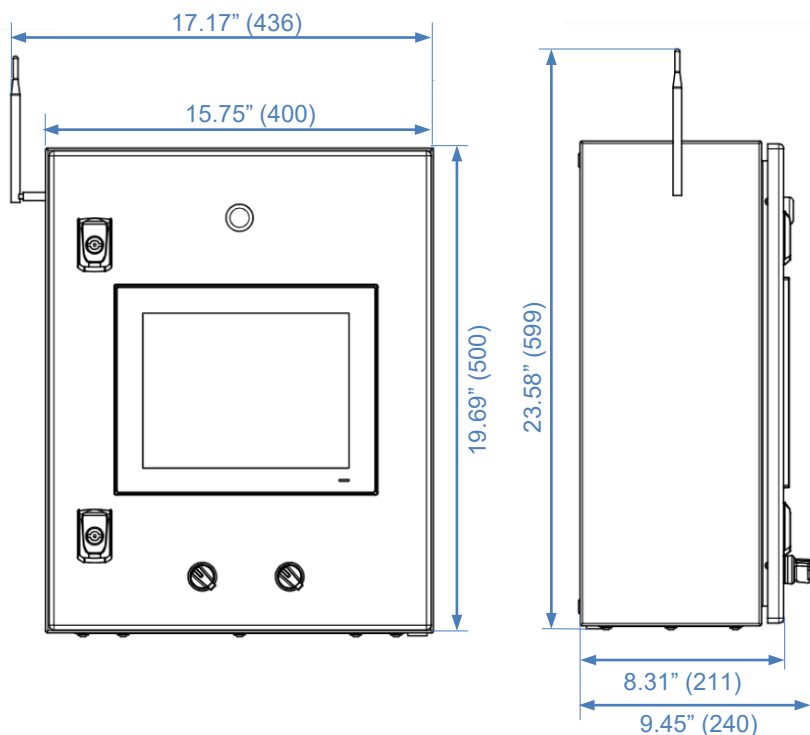
Electrical Specifications

Parameters	SAVE Controller	SAVE Module
Power	100W (24VDC)	60W (24VDC)
Power Supply	120/240VAC //1// 50/60Hz	120/240VAC //1// 50/60Hz
Nominal Current	3.0A (120VAC) 1.6A (230VAC)	1.2A (120VAC) 0.8A (230VAC)
Ambient Temp. Range	15 - 120 °F (-10 - 50°C)	15 - 120 °F (-10 - 50°C)
Protection Category	NEMA 12	NEMA 12

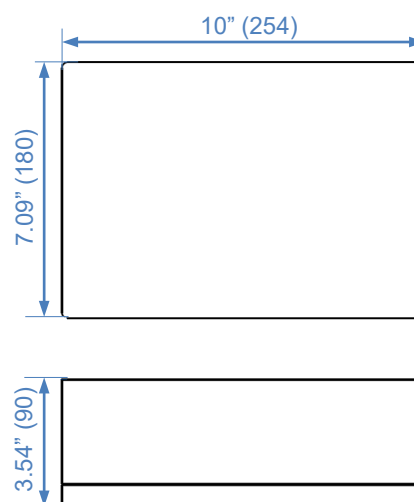
Parameters	SAVE Sensor
Rated Voltage	12-24VDC / 120-400VAC
Ambient Temp. Range	15 - 120 °F (-10 - 50°C)

Dimensions

SAVE Controller



SAVE Module



Part List

Item number	Description
73009334	SAVE Controller
73009335	SAVE Controller incl. gateway
73009336	SAVE Module
73009060	SAVE Sensor
73009368	Airflow Sensor
73009079	Gateway Assembly Kit